

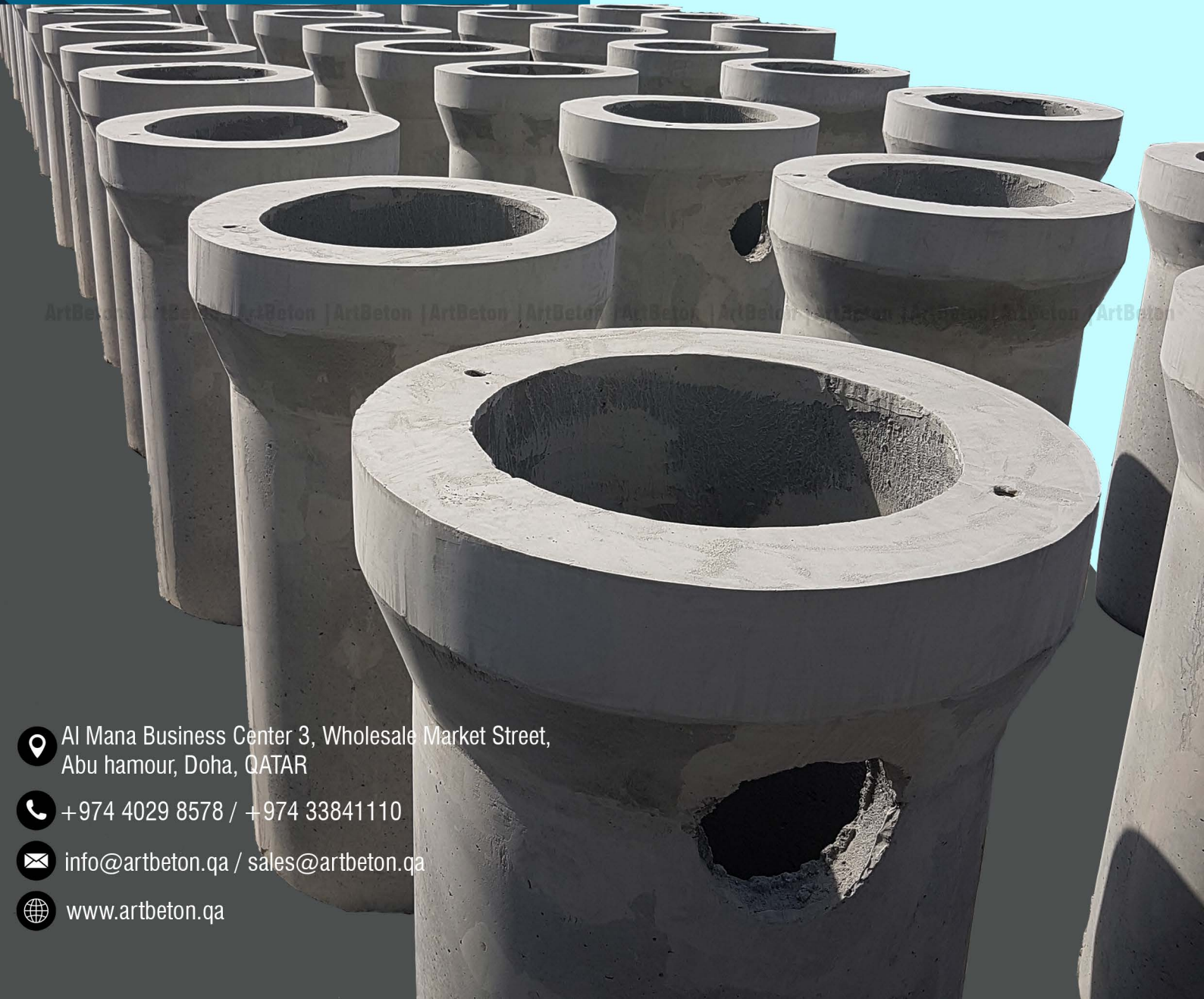


ارت بيتون للمقاولات و تجارة ذ.م.م

ArtBeton

Contracting & Trading L.L.C.

GULLY POTS

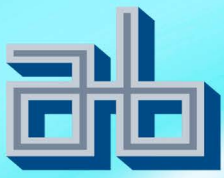


 Al Mana Business Center 3, Wholesale Market Street,
Abu hamour, Doha, QATAR

 +974 4029 8578 / +974 33841110

 info@artbeton.qa / sales@artbeton.qa

 www.artbeton.qa



ارت بيتون للمقاولات و تجارة ذ.م.م

ArtBeton
Contracting & Trading L.L.C.

STANDARD PRECAST PRODUCT

DATA SHEET AB GULLY POTS



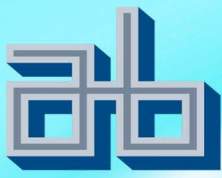
ArtBeton | ArtBeton | ArtBeton | ArtBeton | ArtBeton | ArtBeton | ArtBeton | ArtBeton | ArtBeton | ArtBeton | ArtBeton | ArtBeton

The Benefits of ArtBeton Gully Pots Applications.

- It is fully biodegradable.
- This Gully Pots is used as roadway stormwater removing drainage system.
- This Gully pots needs no concrete surround
- Artbeton's Gully pots is the first entry point for road water runoff into public sewers
- Fundamentally maintenance free over a minimum of 20 year design life span.
- Easy installation.
- Non pollution in service and are durable, hard wearing and will withstand weather condition and rust resistant.
- Artbeton's Gully pots are locally manufactures and delivered all over the state of Doha, Qatar
- Simple and quick to manoeuvre into place.
- Guaranteed 10 years warranty against manufacturer's defects.

ArtBeton Contracting & Tr. L.L.C.

Abu hamour, Wholesale Market str. 995, B#147, Office 01,
Al Mana Business Center 3, P.O. Box 19115, Doha - QATAR.
Tel: +974.4029 8578 Mob +974.33841110
General inquiries email: artbetonq@gmail.com or info@artbeton.qa,
sales@artbeton.qa
Website: www.artbeton.qa



ارت بيتون للمقاولات و تجارة ذ.م.م

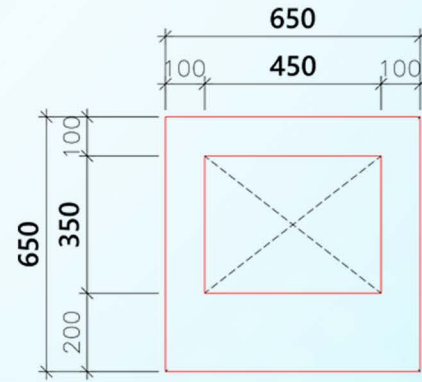
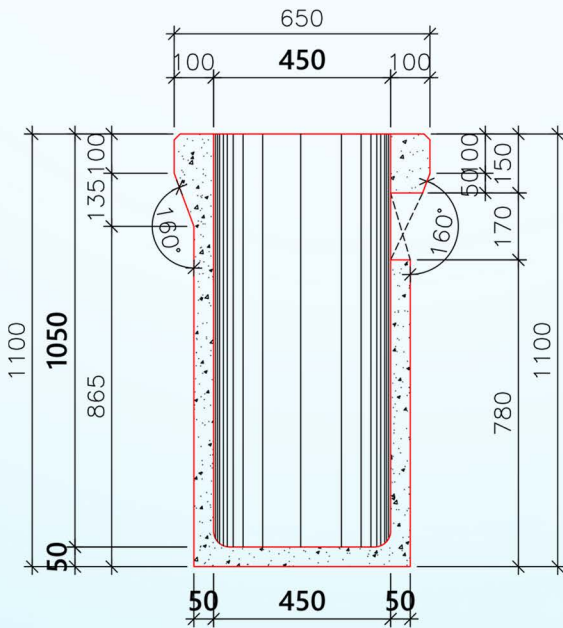
ArtBeton
Contracting & Trading L.L.C.

STANDARD PRECAST PRODUCT

DATA SHEET AB GULLY POTS

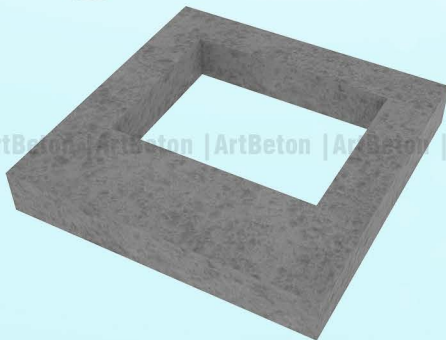
ARTBETON PRECAST STANDARD GULLY POT SIZE

SET	PRODUCT NAME	ID	MEASUREMENT
GULLY POT			
SET-01	GULLY POT	<u>GP01</u>	450mm internal diameter x 1050mm internal height with 50/100mm thick wall and 50mm thick base
GULLY POT COVER			
SET-01	GULLY POT COVER SLAB (RECTANGULAR OPENING)	<u>CS01</u>	650 Lx 650 W ,with 100mm thick and 450 x 350 square opening



CS1 GP COVER SLAB
--- SCALE

01 GULLY POT 450 DIA
--- SCALE



ArtBeton Contracting & Tr. L.L.C.

Abu hamour, Wholesale Market str. 995, B#147, Office 01,
Al Mana Business Center 3, P.O. Box 19115, Doha - QATAR.
Tel: +974.4029 8578 Mob +974.33841110
General inquiries email: artbetonq@gmail.com or info@artbeton.qa,
sales@artbeton.qa
Website: www.artbeton.qa



ارت بيتون للمقاولات و تجارة ذ.م.م

ArtBeton

Contracting & Trading L.L.C.

ArtBeton Contracting & Tr. L.L.C.

Abu hamour, Wholesale Market str. 995, B#147, Office 01,
Al Mana Business Center 3, P.O. Box 19115, Doha - QATAR.

Tel: +974.4029 8578 Mob +974.33841110

**email: *artbetonq@gmail.com* or *info@artbeton.qa*,
*sales@artbeton.qa***



Website: www.artbeton.qa

